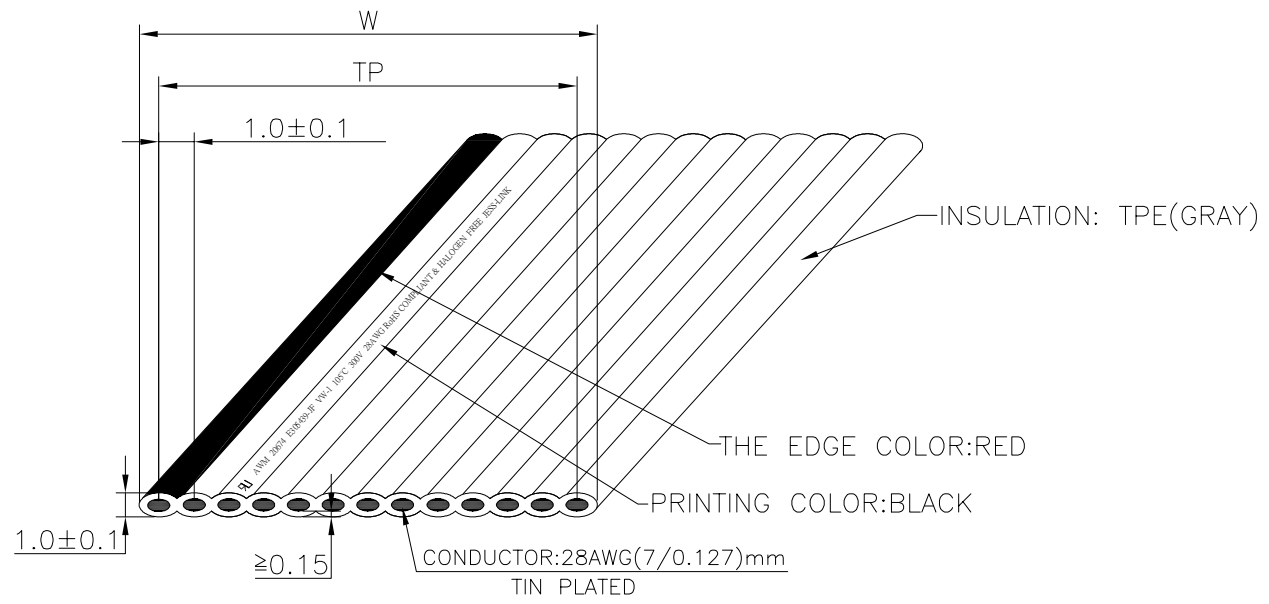
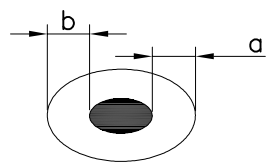


THIS DRAWING AND THE DATA DISCLOSED HEREIN OR HEREWITH IS NOT TO BE REPRODUCED USED OR DISCLOSED IN WHOLE OR IN PART TO ANYONE WITHOUT THE PERMISSION OF JESS-LINK PRODUCTS CO.,LTD.(JPC)

CUSTOMER DRAWING
DRWC-007080

REV.	ECN NO.	DESCRIPTION	MDF'D	APP'D	DATE
A1	---	FIRST EDITION	Pefer	Pefer	07/02/2020
A3	---	MODIFICATION OF PRINTING CONTENT	Kevin	Pefer	11/08/2021
A4	---	UPDATE FRAME	Chunxia	Richard	08/16/2024

$S(\text{Eccentricity}) = |a-b| / 2 \leq 0.06$



PRINTING:

AWM 20674 E305439-JF VW-1 105° C 300V 28AWG RoHS COMPLIANT & HALOGEN FREE JESS-LINK

					RoHS COMPLIANT HALOGEN FREE	Unit : mm GENERAL TOLERANCES: (UNLESS SPECIFIED) 0 = ±1(0.039) 0.0 = ±.5(0.02) 0.00 = ±.3(0.012) 0.000 = ±.15(0.006) 0° = ± 2° 0.0° = ± 1'	PROJECTION D.R. 08/16/2024 Chunxia CH.K APV.D	JPC connectivity TITLE HAB1 series 28AWG P=1.0 SCALE NA SIZE A4 PART NO. PCBP43208801-5		PD./FILE NO. XXXXXXXXX X-XXXXX REV. A4 SHEET 1 OF 2
ITEM	SUPL	SUPL PN	DESCRIPTION	Q'TY						

1	2		3	4	5	6	7	8			
THIS DRAWING AND THE DATA DISCLOSED HEREIN OR HEREWITH IS NOT TO BE REPRODUCED USED OR DISCLOSED IN WHOLE OR IN PART TO ANYONE WITHOUT THE PERMISSION OF JESS-LINK PRODUCTS CO.,LTD.(JPC)				CUSTOMER DRAWING		REV.	ECN NO.	DESCRIPTION	MDF'D	APP'D	DATE
				DRWC-007080		A1	---	FIRST EDITION	Pefer	Pefer	07/02/2020
						A3	---	MODIFICATION OF PRINTING CONTENT	Kevin	Pefer	11/08/2021
						A4	---	UPDATE FRAME	Chunxia	Richard	08/16/2024

A
B
C
D
E

NUMBER OF CORES	WIDTH(MM)	TP(MM)	ALLOWABLE ERROR mm	PART NO.
4	4.00	3.00	±0.12	PCBP43204801-4
5	5.00	4.00	±0.12	
6	6.00	5.00	±0.12	PCBP43206801-4
7	7.00	6.00	±0.12	
8	8.00	7.00	±0.12	PCBP43208801-5
9	9.00	8.00	±0.12	
10	10.00	9.00	±0.15	
14	14.00	13.00	±0.15	
15	15.00	14.00	±0.15	
16	16.00	15.00	±0.15	
20	20.00	19.00	±0.15	PCBP43220801-1
25	25.00	24.00	±0.15	
26	26.00	25.00	±0.18	
28	28.00	27.00	±0.18	
30	30.00	29.00	±0.18	
34	34.00	33.00	±0.18	
40	40.00	39.00	±0.18	PCBP43240801-5
44	44.00	43.00	±0.20	

一.SPECIFICATIONS:

UL GRADE:
UL Style.....20674
Rate Temperature.....-20°C To105°C
Rate Voltage.....300V
Flame Test.....VW-1

二.PHYSICAL PROPERTY:

Stranded conductor
AWG size.. ..28 AWG
Material of insulation.. ..TPE gray
Min insulation thickness.. ..6 mils

三. ELECTRONIC CHARACTERISTICS:

Spark test.. ..3000V
Dielectric strength test.. .. 2KV in 1 minute
Conductor resistance.. ..MAX 237Ω/km
Insulation resistance.. ..Min 250MΩ/10FT

ITEM	SUPL	SUPL PN	DESCRIPTION	Q'TY
1				
2				
3				
4				
5				

RoHS COMPLIANT	HALOGEN FREE	Unit : mm	PROJECTION 	JPC connectivity			
		GENERAL TOLERANCES: (UNLESS SPECIFIED) 0 =±1(0.039) 0.0 =±.5(0.02) 0.00 =±.3(0.012) 0.000=±.15(0.006) 0° =± 2° 0.0° =± 1°	D.R. 08/16/2024 Chunxia			TITLE HAB1 series 28AWG P=1.0	PD./FILE NO. XXXXXXXXXX
		CH.K	APV.D	SCALE NA	SIZE A4	PART NO. PCBP43208801-5	REV. A4
						SHEET 2 OF 2	

A
B
C
D
E
F